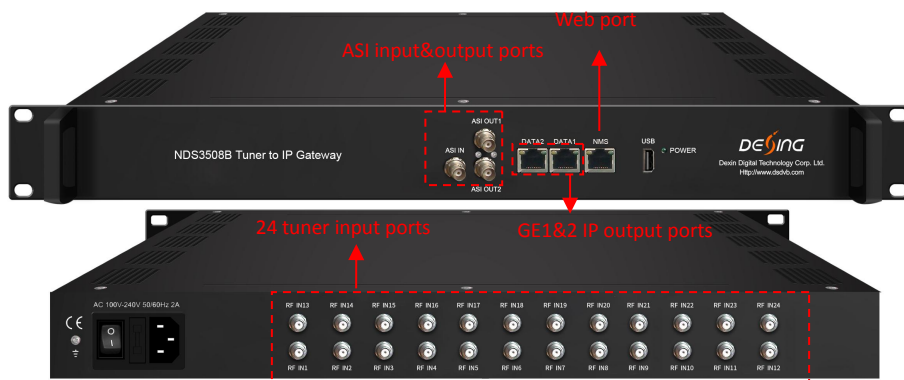




NDS3508B-24

Tuner to IP Gateway



Outline

NDS3508B-24 Tuner to IP Gateway is a head-end interface conversion device which supports MPTS and SPTS output switchable. It supports 24 MPTS+2 MPTS(ASI and USB) or 1024 SPTS output over UDP and RTP/RTSP protocol. It is integrated with tuner demodulation (or ASI input) and gateway function, which can demodulate the signal from 24 tuners into IP package, or directly convert the TS from ASI input and tuner into IP package, then output the IP package through different IP address and ports. BISS function is also embedded for tuner input to descramble your tuner input programs.

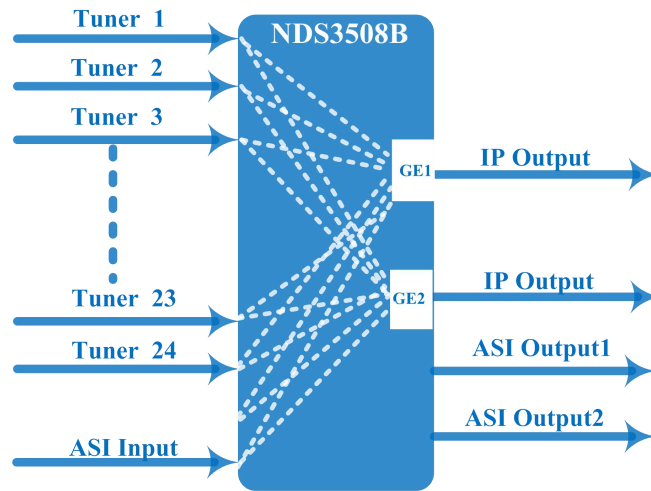
Key Features

- Support 24 FTA DVB- S/S2/S2X input, 1 ASI input, 1USB input
- Support BISS descrambling
- Support DisEqc function
- 24 MPTS+2 MPTS(ASI and USB port) or 1024 SPTS output (MPTS and SPTS output

switchable)

- 2 GE output (IP address and port number of GE1 and GE2 are different), up to 850Mbps---SPTS
- 2 independent GE output port, GE1 (512 SPTS)+ GE2 (512 SPTS) --- (total 26 MPTS)
- Support PID filtering, re-mapping (Only for SPTS output)
- Support “Null PKT Filter” function (Only for MPTS output)
- Support Web operation

Working Principle



Specifications

Input		24 tuners input +1 ASI input +1 USB input---SPTS/MPTS output	
Satellite	DVB-S	Frequency In	950~2150MHz
		Symbol rate	0.5~45Msps
		Signal Strength	- 65- -25dBm
		FEC	1/2, 2/3, 3/4, 5/6, 7/8
		Constellation	QPSK
		Max input bitrate	≤ 125 Mbps
	DVB-S2	Frequency In	950~2150MHz
		Symbol rate	QPSK/8PSK /16APSK :0.5~45 Msps 32APSK: 0.5~34Msps;
		FEC	QPSK: 1/2, 3/5, 2/3, 3/4, 4/5, 5/6, 8/9, 9/10 8PSK: 3/5, 2/3, 3/4, 5/6, 8/9, 9/10 16APSK: 2/3, 3/4, 4/5, 5/6, 8/9, 9/10 32APSK: 3/4, 4/5, 5/6, 8/9, 9/10
		Constellation	QPSK, 8PSK, 16APSK, 32APSK
		Max input bitrate	≤ 125 Mbps
		DVB-S2X	Frequency In

	Symbol rate	QPSK/8PSK /16APSK :0.5~45 Msps 8APSK: 0.5~40Msps 32APSK: 0.5~34Msps
	FEC	QPSK: 1/2, 3/5, 2/3, 3/4, 4/5, 5/6, 8/9, 9/10, 13/45, 9/20, 11/20 8PSK: 3/5, 2/3, 3/4, 5/6, 8/9, 9/10 8APSK: 5/9-L, 26/45-L 16APSK: 2/3, 3/4, 4/5, 5/6, 8/9, 9/10, 1/2-L, 8/15-L, 5/9-L, 26/45, 3/5, 3/5-L, 28/45, 23/36, 2/3-L, 25/36, 13/18, 7/9, 77/90 32APSK: 3/4, 4/5, 5/6, 8/9, 9/10, 2/3-L, 32/45, 11/15, 7/9
	Constellation	QPSK, 8PSK, 8APSK, 16APSK, 32APSK
	Max input bitrate	≤125 Mbps
BISS Descrambling		Mode 1, Mode E (Up to 850Mbps) (descramble individual program)
Output		1024 SPTS IP output over UDP and RTP/RTSP protocol through GE1 and GE2 port (IP address and port number of GE1 and GE2 are different) , Unicast and Multicast
		26 MPTS IP output (for Tuner/ASI/USB pass-through) over UDP and RTP/RTSP protocol through GE1 and GE2 port, Unicast and Multicast
		2 ASI output
System		Web based management
		Ethernet software upgrade
Miscellaneous	Dimension	482mm×230mm×44mm (W×L×H)
	Approx weight	2.5kg
	Environment	0~45°C (work); -20~80°C (Storage)
	Power requirements	100~240VAC, 50/60Hz
	Power consumption	20W